

15P/40T-9

Electric Towing / Platform Trucks

MOVING YOU FURTHER

HYUNDAI HEAVY INDUSTRIES



■ Photo may include optional equipment

 **HYUNDAI**

Revolutionizing the productivity in the material industry!

With our vast experience in the production of construction equipment, Hyundai is able to meet the demands of our consumers. 40T-9 / 15P-9, produced by Hyundai are not only economical, environmentally friendly and allow for convenient maintenance, but their improved maneuverability and quiet operation make our products the most widely-used towing maintenance truck in trade and distribution companies around the world.



Maximize the productivity of your business with our powerful and agile electric trucks.

- **Maximum Performance**
- **Comfortable Operating Room**
- **Ease of Controllability**
- **Easy Maintenance**
- **Application of 9 Series Design**
- **Side Loading Battery Roller Assy (Optional)**
- **Comfortable Grammer Seat**



■ Photo may include optional equipment

Comfortable Operation



■ Photo may include optional equipment

Centralized Panel and Switch

It is easy to maintain the equipment by adopting centralized panel that indicates the equipment's status with self-diagnosis function.



Excellent Visibility for Safe Operation

Ergonomically designed forklift offers all-round visibility.

Strong Dash board

The strengthened steel dash board provides enhanced durability.



A design based on human engineering relieves fatigue and increase operator's efficiency.

15P/40T-9



Comfortable Operator's Space

As adopting EPS(Electrical Power Steering) system, you feel smooth steering and minimizes operator's fatigue. And it provides safety operation with wide front and rear view.



Comfortable Grammer Seat

Easily adjustable suspension seat, based on a human engineering design, reduces operator fatigue and provides greater comfort.

- * ELR (Energy Locking Retractor) Type SeatBelt
- * Heating and Head-rest (Optional)



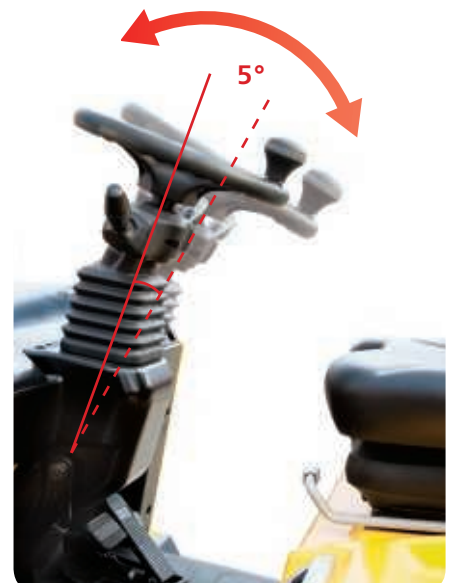
Parking Brake System

Ratchet type parking brake requires less effort from the operator to set.



Spacious Cabin

Enlarged cabin enables easy access for operators from any direction. Low and step give more comfortability and safety.



Adjustable Steering Wheel

The steering wheel can be adjusted by a lever on the left-hand side for the most comfortable operating position.

Optimised Ergonomics & Fast and Easy Maintenance



Easy Battery Replacement

■ Photo may include optional equipment

It ensures additional space between battery and main frame for smooth movement of the battery. (Side battery removal is optional)



Profitable AC-motor Adoption

Applying AC-motor improves output power and precision of speed control. It also reduces maintenance cost and fault.



Improved Maintenance Ability

Integrated electrical devices enhanced maintenance ability and durability.



Easy Maintenance

Easy access to EPS motor ensures better serviceability.

An ideal arrangement of components ensures easy access and convenience for maintenance.

15P/4OT-9



Storage Console

A storage console is installed for the operator's benefit.



Maximum Operator Workspace

This additional storage is designed to make working even more convenient.



Towing Coupler with Releasing Lever (Optional)

Manually released hook type coupler while seated.



Turtle Speed Mode

To make warehouse safer, operators can set truck speed less than 5 km/h.



Battery

Urethane bolt minimizes battery movement for safer operation.



Towing Coupler (optional)

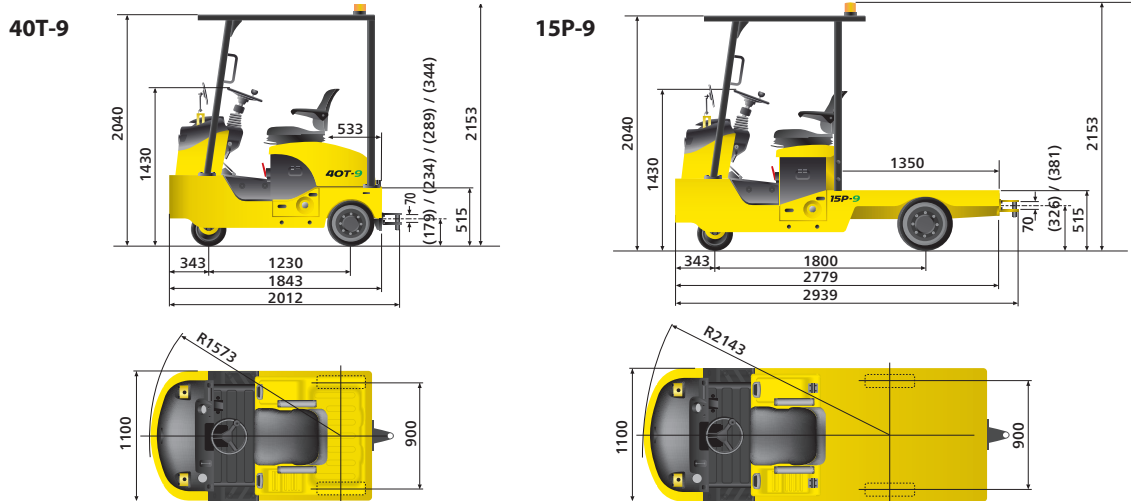
An adjustable hook ensures wide range of tugging and tractor application.



Inching Operation

Trucks can be movable in a fine operation control when needed.

Dimensions



Specifications

Description		Unit	40T-9	15P-9	
Performance	Capacity	kg	4000	1500	
	Travel Speed	Loaded	km/h	8	8
		Unloaded	km/h	10	10
	Outside Turning Radius	mm	1573	2143	
Dimension	Overall Length	mm	2012	2779	
	Overall Width	mm	1100	1100	
	Overall Height	mm	1430	1430	
	Wheel Base	mm	1230	1800	
	Wheel Tread - Rear	mm	900	900	
	Weight (Without Battery)	kg	1433	1382	
Power Train	Drive Motor	kw	4.0	4.0	
	Battery	Voltage	V	48	48
		Min. Weight	kg	400	400
		Max. Weight	kg	720	720
Control Type		-	AC	AC	
Tire	Size, Front	-	Ø 305 x 127 (1)	Ø 305 x 127 (1)	
	Size, Rear	-	4.00-8 (2)	5.00-8-8PR (2)	

* Beacon lamp, Front Urethane tire, Non-Marking Tire, Cargodeck, Suspension Seat, Head guard are Optional.

Optional Items

- **Cargo Box**
15P-9: 1100 x 1350 (Standard); 1100 x 2190 (Long Platform),
1100 x 2190 (Long Platform + Wing); 1100 x 1350 (Cargo Deck)
- **Frame**
40T-9: Steel Bumper
- **Battery Roller:** 40T-9 (Standard), 15P-9 (Option)
- **OHG (Over Head Guard)**
- **Turtle Mode**
- **Heating and Head-rest**
- **Suspension Seat**
- **Beacon Lamp**

* Standard and optional equipment may vary per country. Contact your Hyundai dealer for more information.

* The photos may include attachments and optional equipment that are not available in your area.

* Materials and specifications are subject to change without advance notice.

* All imperial measurements rounded off to the nearest pound or inch.



PLEASE CONTACT